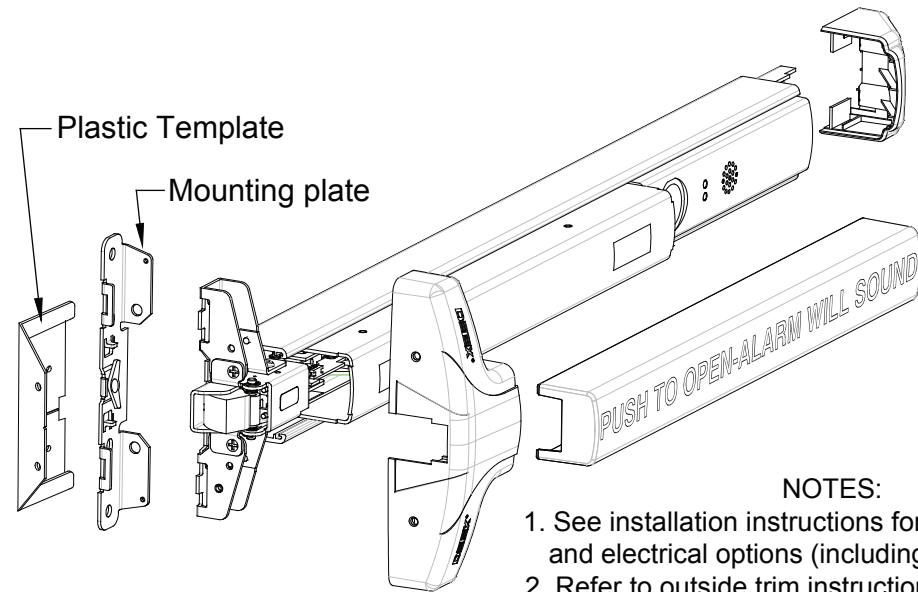


QUICK INSTALL GUIDE USING PLASTIC TEMPLATE AND MOUNTING PLATE

VALUE SERIES®

V40/V4000 Series Rim Device (Refer to Installation Manual for Detail)



NOTES:

1. See installation instructions for detailed installation, operation and electrical options (including glass door applications).
2. Refer to outside trim instructions.
3. Hurricane models - refer to installation booklet for special requirements.
4. Optional sex bolt kit: p/n SN1-X.
5. Optional wood door screw kit: p/n 103991.

Machine Screws				Sheetmetal / Wood Screws		Self-drilling Screws	
A #1/4-20 x 1" Drill Size: #7 or Ø13/64"	B #1/4-20 x 1/4"	C #10-24 x 5/8" Drill Size: #25 or Ø9/64"	D #6-32 x 3/8"	F #14 x 1-1/4" Drill Size: 3/16"	G #10 x 1"	K #14 x 1"	L #14 x 1-1/2"

STEP 1 - LOCATE MOUNTING PLATE & PLASTIC TEMPLATE

PLASTIC TEMPLATE

MOUNTING PLATE

STEP 2 - INSTALL MOUNTING PLATE

Mounting plate hole

Plastic Template

Strike holes

Mounting plate hole

Mark centerline for Unit 40 Inches above finished floor

Fasten strike screws loosely.

A or K

A, F or L

Mark/drill mounting plate and strike holes

Fasten mounting plate and Strike

STEP 3 - INSTALL DEVICE TO MOUNTING PLATE

NOTE CAM POSITION

Depress pushpad when installing

Install rim device

B

MUST fasten rim device to mounting plate

Illustrations for reference only.

STEP 4 - INSTALL CYLINDER

(Mortise cylinder NOT provided)

Adjust for cylinder length with spacers provided.

Do not over tighten.

CAUTION!

Reinstall fillerplate

Use CAUTION to avoid damaging wires

Verify cylinder operation

Reinstall cable (LBM, EE & EM units only)

STEP 5 - INSTALL ENDCAP BRACKET AND ENDCAP

Level rim device and mark/drill (3) holes

Use center hole to mount endcap bracket. Screw prevents endcap tampering.

Install (2) D Screws for added security

K

A, F or L

Mark/drill (3) endcap bracket holes

Fasten endcap bracket

Install endcap

STEP 6 - ADJUST STRIKE AND INSTALL COVER

Deadlatch

Align the surface strike with the deadlatch. Then, firmly tighten both screws.

Mark and drill center hole. Secure the surface strike.

C or G

D

Adjust surface strike

Secure surface strike

Install cover

If cover hits strike, remove shim

STEP 7 - INSTALL PUSHPAD WRAP

Pushpad Wrap (note text orientation)

Tape backing

NOTE: Peel and remove tape backing BEFORE installing pushpad wrap